

10PI

HEAVY DUTY PIPE TANDEM AXLE TRAILER

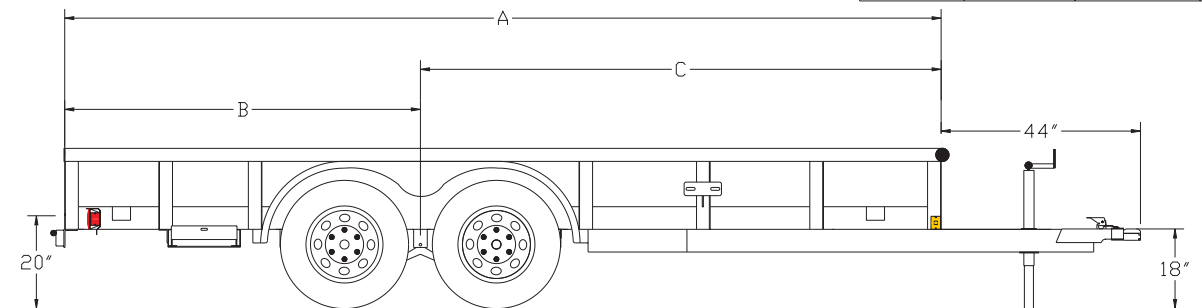
G.V.W.R.	9,990#	AXLES	Two 5,200# Cambered Axles w/ Elec. Brakes
G.A.W.R. (EA. AXLE)	5,080#	SUSPENSION	Multi-Leaf Spring w/ Equalizer
COUPLER	2-5/16" Bulldog Coupler	TIRE	ST225/75-15 Load Range D
SAFETY CHAINS	1/4" Grd. 70 w/ Safety Latch Hook (2 ea.)	WHEEL	15 X 6 White Spoke 6 Bolt
JACK	2000# Top Wind (Bolted On)	FLOOR	2" Pine
TONGUE	5" Channel Fold Back	LIGHTS	D.O.T. Stop, Tail, Turn and Clearance
TOP RAIL	2-7/8" Pipe Square Back	ELEC. PLUG	6 Way
FRAME	3" X 5" X 1/4" Angle	FINISH (PREP)	Acid Etched w/White Phosphorus, Undercoated w/Panther 813 & Two Coats Primer
CROSSMEMBERS	2" X 3" X 3/16" Angle	FINISH	Painted w/ 2 Coats High Solid <i>Supreme</i> Acrylic Automotive Grade Enamel, and Pinstriped
UPRIGHTS	16" Tall - 2" X 3" X 3/16" Angle		
FENDERS	9" X 72" Teardrop w/ Back		

STANDARD FEATURES

- Two 5200# Cambered Axles w/ 2 Electric Brakes
- Complete Break-A-Way System w/ Charger
- 2-7/8" Pipe Top Rail Capped w/ Self Sealing Plugs
- Safety Chains Attached w/ Cold Rolled Eyelets
- Reflective Marker Tape
- Fold Back Tongue
- 4' Slide In Ramps
- Set Back Jack
- Bulldog Forged Coupler
- Floor Secured w/ 5/16" Torx Screws
- Tie Down Pockets, Sides & Rear
- Spare Tire Mount
- Lower Jack Support Plate

10PI-16

DIMENSIONS			
LENGTH	A	B	C
14'	169-1/2"	66-1/2"	103"
16'	193-1/2"	78-1/2"	115"
18'	217-1/2"	90-1/2"	127"
20'	240"	102"	138"



OPTIONS

NBK2	Electric Brakes on 1 Axle Only
HYD1	Hydraulic Brakes On 1 Axle w/ Adjustable Demco Actuator
HYD2	Hydraulic Brakes On 2 Axles w/ Adjustable Demco Actuator
SP	15" Spare Tire & Wheel - Load Range D
DLJ	Drop Leg Jack (7K)
SF	1/8" Diamond Plate Steel Floor (Per Sq. Ft.)
RG	Rampgate in lieu of Ramps
HST	Higher Side (Each Additional Foot)
ENEX	Enclosed w/ Expanded Metal (Per Sq. Ft.)
ENSH	Enclosed w/ Sheet Metal (Per Sq. Ft.)
TU	Tire Upgrade to 16" - Load Range E
SPU	Spare Tire Upgrade to 16" - Load Range E
HDLJ	10K Top Wind Drop-Leg Jack
FUR5	5' Stand-up Ramp
IRHDG	Intergrated Heavy Duty Ramp Gate w/ Shock Assist in Lieu of Ramps

Effective January 1, 2003 (Specifications and Options subject to change without notice.)